

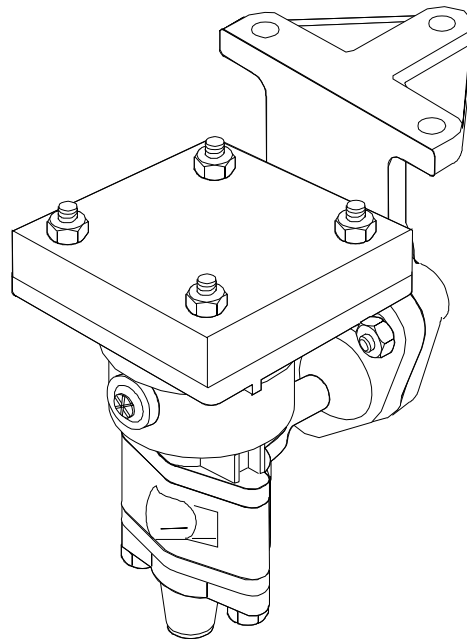
## H-7 RELAYAIR VALVES

### Product Upgrade

OCTOBER, 1997

WABCO Locomotive Products has upgraded the design of the H-7 RelayAir Valve to help extend the reliability and durability of the product. The current H-7 RelayAir Valve features an upgraded design on rubber seating/sealing areas.

The original valve design of metal to metal valve seats has now been upgraded to feature sealing with rubber valve seats. This upgraded seating design provides greater protection against leakage when exposed to contaminated air, thus improving in-service operation. Rubber valve seats will reduce the rebuild time for the customer C.O.T. on the RelayAir Valve, as the lapping procedure of metal to metal seats is eliminated. H-7 Upgrade Kits are available for converting the present style to the new design.

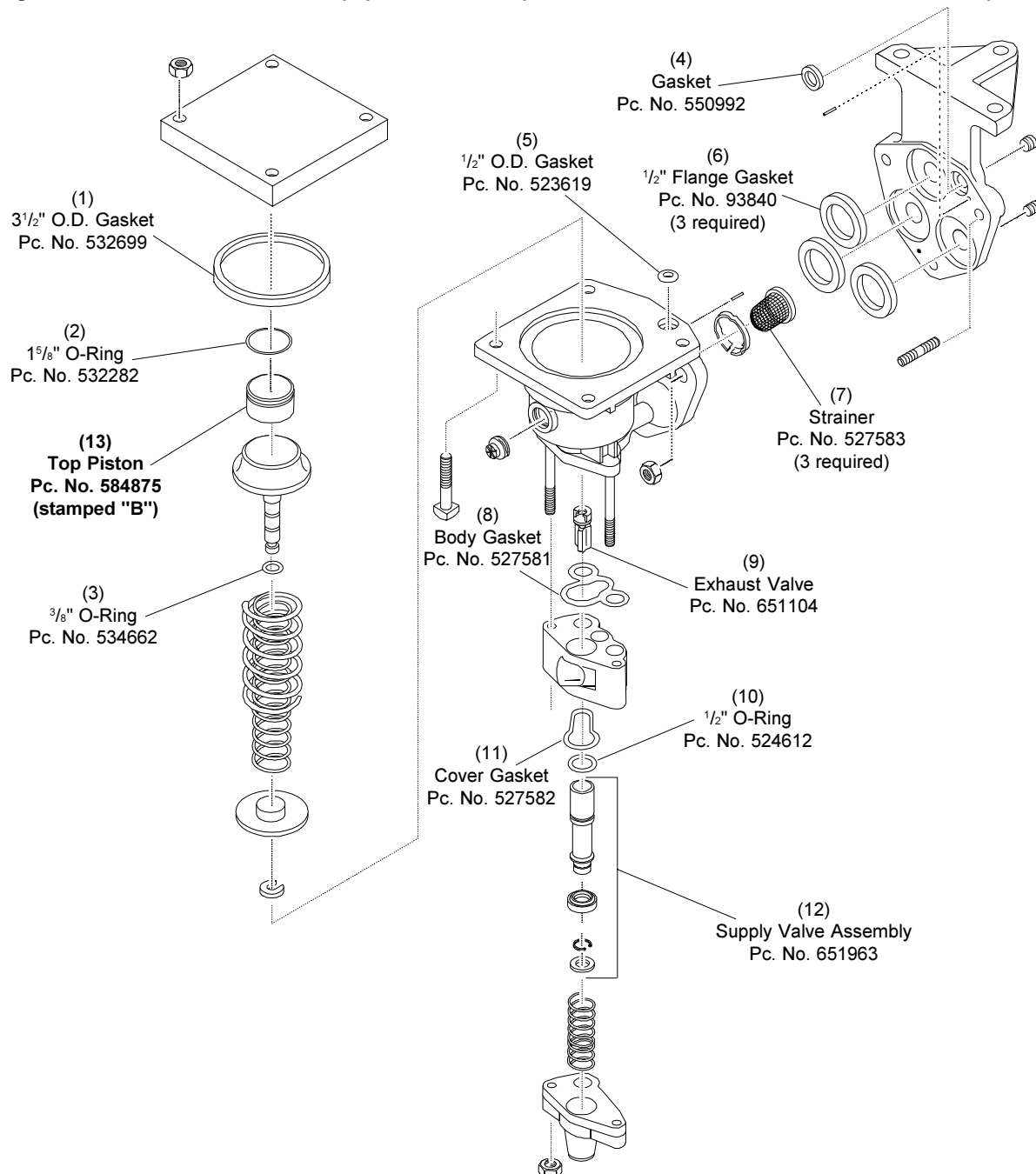


**Figure 1 - H-7 RelayAir Valve with Pipe Bracket**

## service bulletin

**Rubber Conversion Kit, Pc. No. 653798** (reference numbers 1 thru 12 in Figure 2), is used when replacing metal seats with rubber seats to help extend the reliability and durability of the product.

**NOTE:** When replacing metal seats with rubber seats using the Rubber Conversion Kit, Pc. No. 653798, the Top Piston, Pc. No. 584875, **MUST BE** replaced with the modified **Top Piston, Pc. No. 584875 configuration control level "B"** (reference number 13 in Figure 2), to ensure proper opening of exhaust valve. The top piston is not part of the kit and must be ordered separately.



**Figure 2 - Rubber Conversion Kit for the H-7 Relay Air Valve**